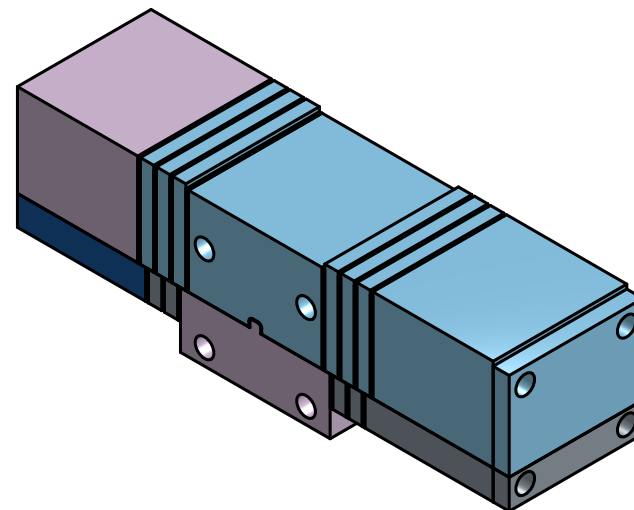


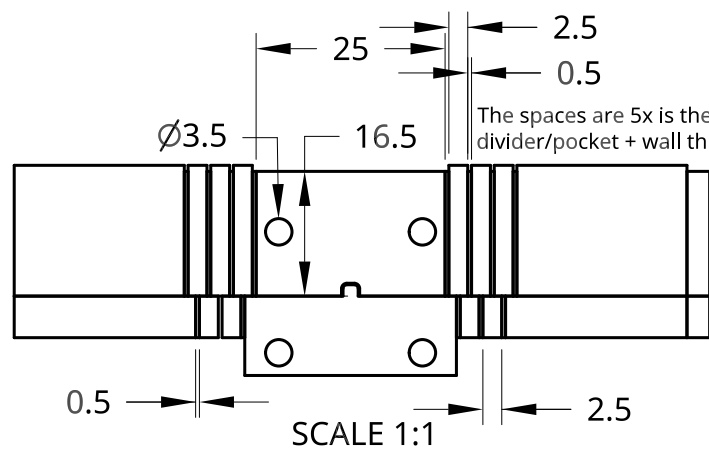
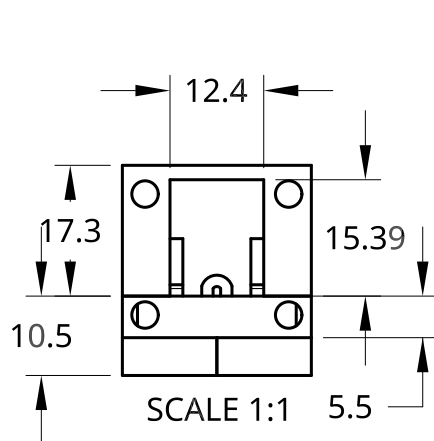
2

1

B

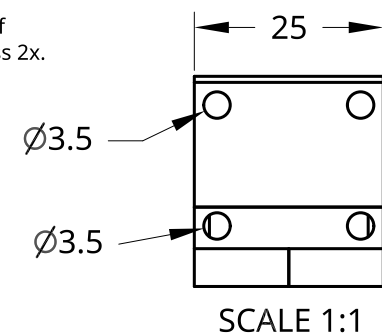


B



SCALE 1:1

The spaces are 5x is the sum of divider/pocket + wall thickness 2x.



A

A

UNLESS OTHERWISE SPECIFIED, DIMENSIONS ARE IN MILLIMETERS ANGULAR = ± ° SURFACE FINISH	DRAWN	Nelson Phillips	DATE	04/07/2018	TITLE ----- ----- -----		
	CHECKED						
	APPROVED						
	DO NOT SCALE DRAWING						
BREAK ALL SHARP EDGES AND REMOVE BURRS					SIZE	DWG NO.	REV.
THIRD ANGLE PROJECTION	MATERIAL	FINISH			A	-----	-
					SCALE	WEIGHT	SHEET
					1:2		1 of 1

2

1

A